

# Selantic Hooks

## Engineered for Subsea Installation & ROV Operations

As the subsea technology develops and the activity goes into deeper water, there is always an incentive to improve the installation methods. Cortland is constantly developing new items of hardware that can interface with our slings, tethers, and rope systems, which are specially designed for ROV installation without the need for costly diver intervention. Examples include: ROV hooks, delta plates, plate shackles, and anchor bases for riser tethers.

### Selantic Hooks

We have developed a range of hooks for use with synthetic fiber slings, which is just as suitable for steel wire rope. The curvature of the hook fulfills the criteria for 100% utilization of the load bearing capacity of the synthetic fiber slings. The hooks are delivered in two formats: F-F for sling interface in both end (patented design) and B-F for sling in the hook and shackle in the top of the hook. The hooks are equipped with an ROV handle for easy operation.

### Capacity towards 1000Te

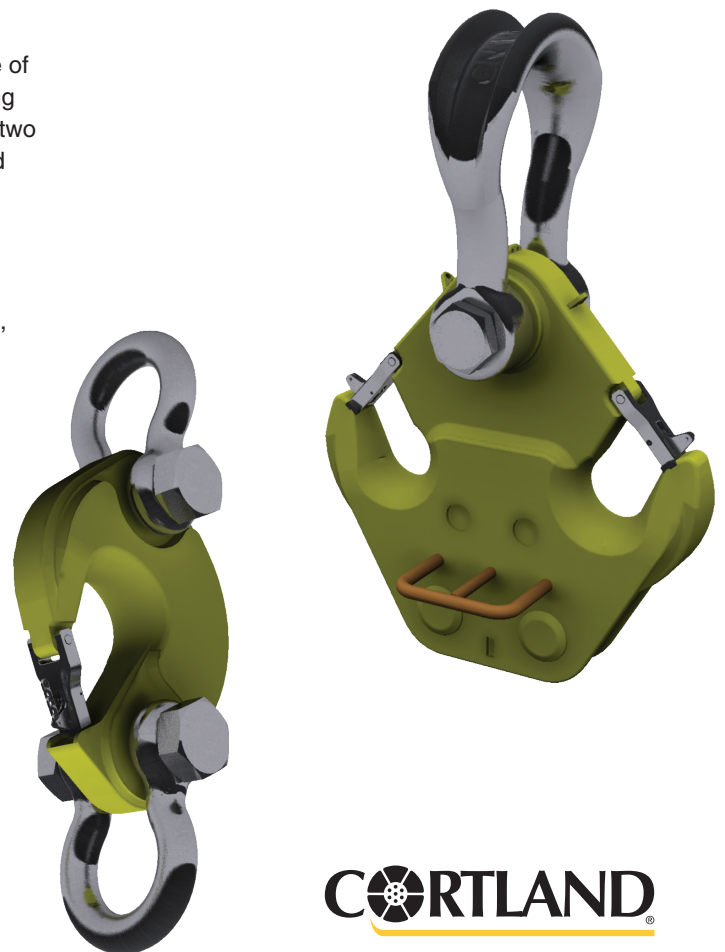
WLL 1000Te hooks and slings can be made to a weight <100Kg, enabling the work ROV to handle such a system. Cortland also offers custom-designed hooks for load transfer operation and pull-in operation, according to client-specific dimensions and capacity requirements.

### Features

- 100% load bearing capacity
- ROV-friendly designs
- Capacity towards 1000 Te

**SELANTIC**

*A Trusted Cortland Brand*

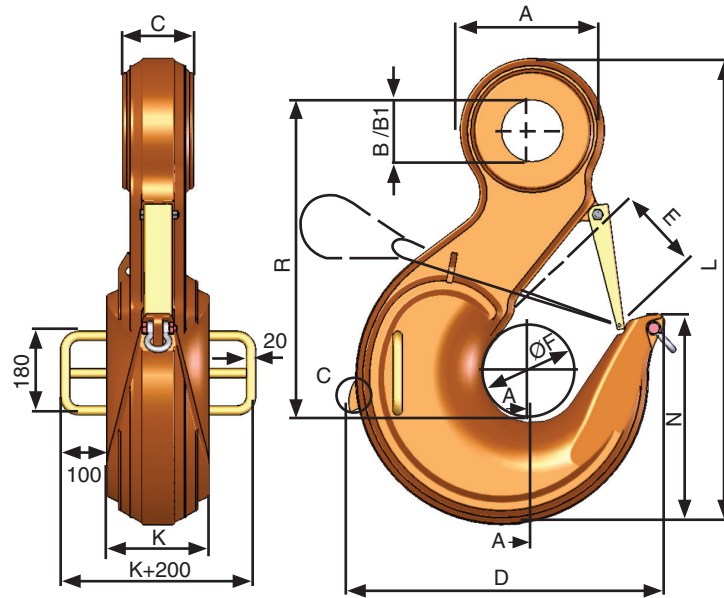


**CORTLAND**

[cortlandcompany.com](http://cortlandcompany.com)

# Selantic Hooks

## Engineered Hooks for Specific Operations



Selantic two-horn ROV hook



Selantic load transfer hook



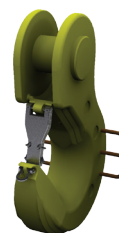
120 ton Fibre/Fibre



55 ton Fibre/Fibre



300 ton Bolt/Fibre



300 ton Fibre/Fibre



120 ton Bolt/Fibre



120 ton Bolt/Fibre

Working load limit (ton)	Item no. for sackle P-6036	Item No. for sackle P-6033	Each	Submerg	A	B	B1	C	D	E	F	J	K	L	N	R
120	BF120HD	BF120WD	120	105	210	98	83	110	450	135	150	75	150	635	310	445
150	BF150HD	BF150WD				111	98	132								
200	BF200HD	BF200WD	390	340	310	133	108	140	670	190	210	105	220	1000	452	692
250	BF250HD	BF250WD	450	393	340	242	123	160	737	220	240	120	220	1030	490	710
300	BF300HD	BF300WD				154	138	170		220	240	120				
400	BF400HD	BF400WD	1150	1003	420	180	165	194	983	320	345	173	320	1480	646	1063
500	BF500HD	BF500WD	1450	1265	460	190	185	202	1070	320	345	173	320	1600	696	1118